



KEEP IT REAL.



KEEP IT REAL.

## HERITAGE

F.A.B.® (formally known as FAB Defense®) is a family owned business founded in 1969 and operated by veterans and active soldiers from a variety of military units. The small workshop developed over the years into a modern manufacturing facility, with all the advanced technologies, needed to design, manufacture and assemble the highest quality tactical equipment and weapons accessories for the State of Israel's Military and Police.

## PROVEN

F.A.B.® R&D works in collaboration with Special Forces and SWAT teams worldwide to design creative, ability enhancing solutions for the ongoing dynamic challenges met in the field. F.A.B.® products are the choice of professionals in more than 25 countries worldwide and have been battle tested in the harshest environments on the globe.

## AGILE

F.A.B.® continues to lead from the front with state-of-the-art engineering, manufacturing, and rigid quality assurance methods all under one roof. This allows us to react quickly to both professional user requirements and the ever-changing commercial markets around the world.

## PROGRESSIVE

F.A.B.® keeps a finger on the pulse. We're constantly pushing the boundaries on ergonomics and tactical efficiencies that optimize safety and operational readiness for our customers. In 2020, we are announcing an update to our brand that we feel reflects the unmistakable passion we have for our mission:

## DELIVER OPTIMAL SOLUTIONS THAT SURPASS EVERY NEED

©2020 FAB Manufacturing & Import of Industrial Equipment Ltd. All Rights Reserved.

F.A.B.®, FAB Defense® and Scorpus® are registered trademarks of FAB Manufacturing & Import of Industrial Equipment Ltd. Israel.

January 2020 | Design: umami.co.il | Photography: Arkadi Raskin ([www.arkadiraskin.com](http://www.arkadiraskin.com)) | Additional Photography: Polenar Tactical® (p. 55, 59), Tom Weber (p. 4, 40), Edward Osborne (p. 9), Biyamin Levin & Ohad Spitzer (p. 6, 45), Shane Durrance Productions (p. 10, 21)

## KPOS HANDGUN CONVERSION KIT

p. 6-9

## BUTTSTOCK SYSTEMS

p. 10-20

## GRIPS & BIPODS

p. 21-34

## RAIL SYSTEMS

p. 35-45

## FLASHLIGHTS & MOUNTS

p. 46-48

## MAGAZINES & ACCESSORIES

p. 49-55

## PARTS & UPGRADES

p. 56-59

## SELF DEFENSE, TRAINING & SAFETY

p. 60-62

## SCORPUS® HOLSTERS

p. 63-71

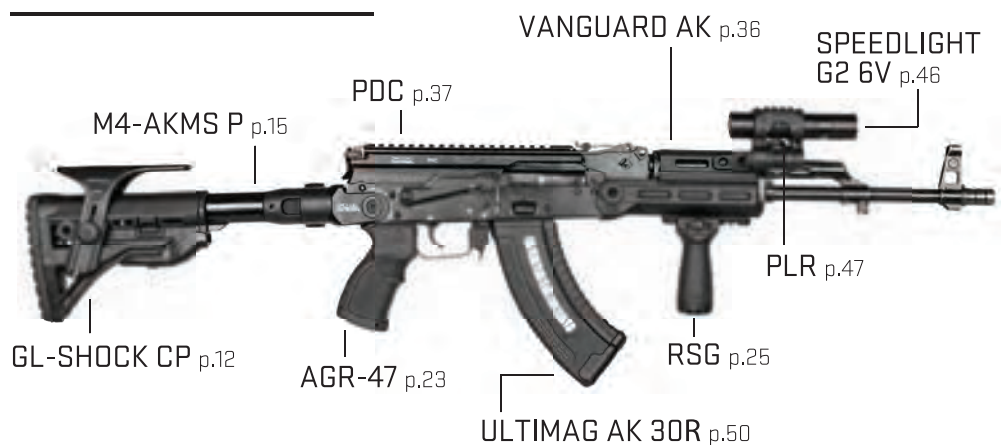
## SHOOTING PLATFORMS

p. 72-74

## M16/M4/AR15



## AK-47/AK-74/AKM



## KPOS SCOUT



## MOSSBERG 500





## M16/M4/AR15



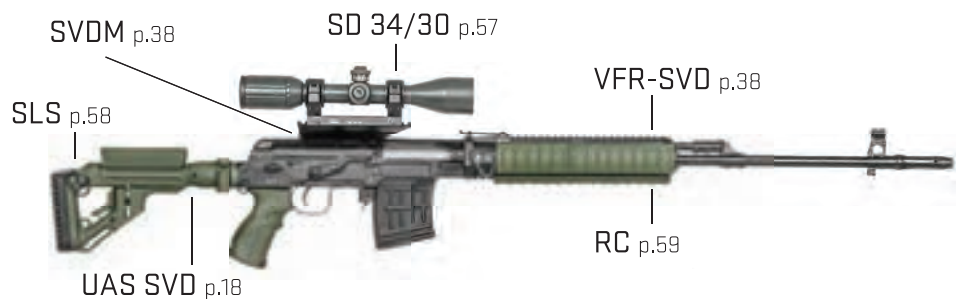
## KPOS G2



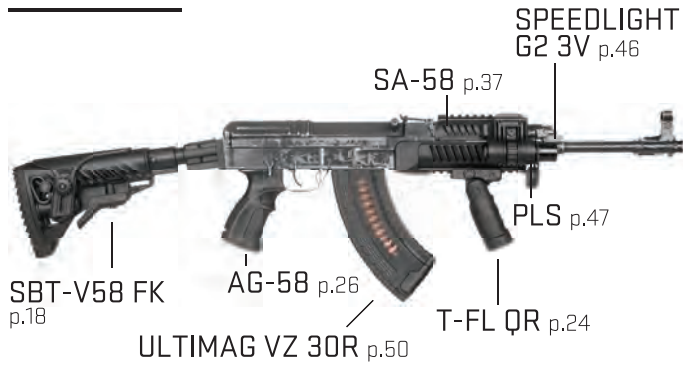
## AK-47/AK-74/AKM



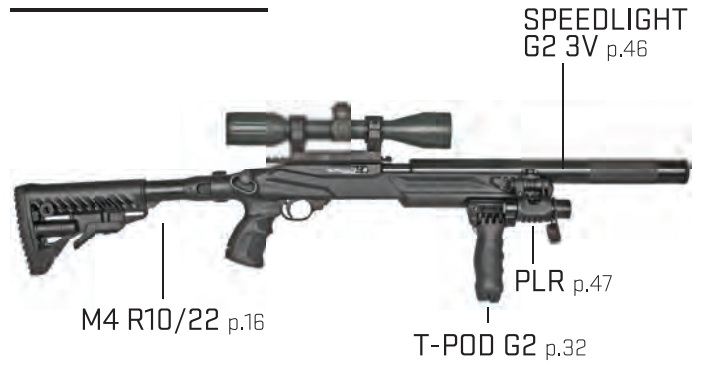
## SVD



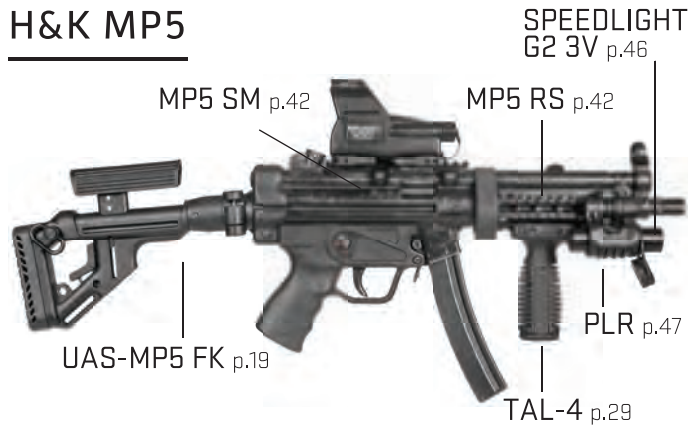
## SA VZ.58



## RUGER 10/22



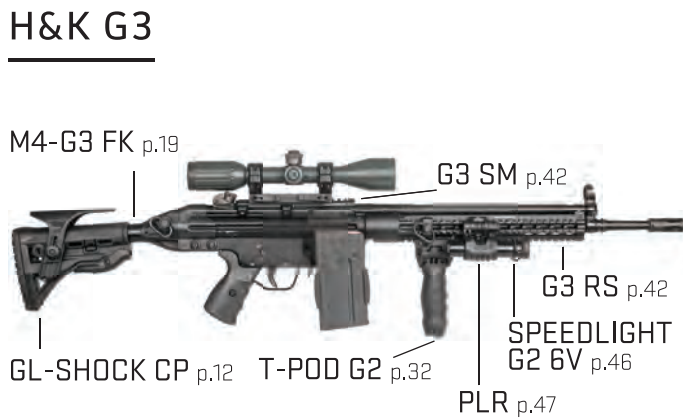
## H&K MP5



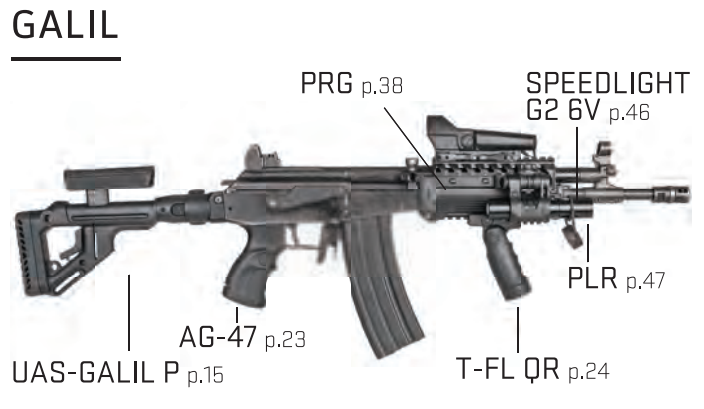
## REMINGTON 870



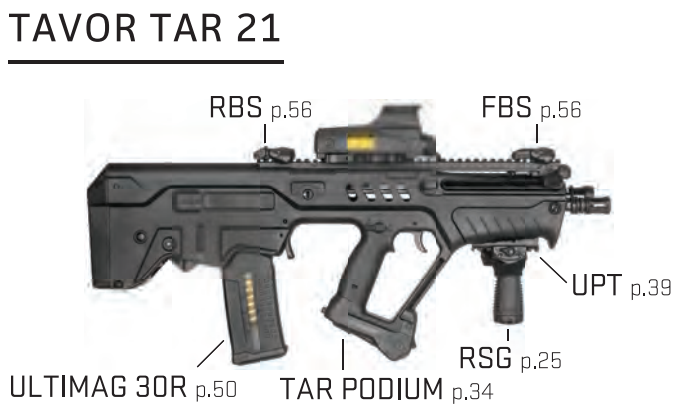
## H&K G3



## GALIL



## TAVOR TAR 21



## GLOCK



A man in tactical gear, including a white short-sleeved shirt, dark pants, sunglasses, and a watch, is walking and holding a rifle. The background is a blurred wall with graffiti.

**KPOS**  
PISTOL CONVERSION KIT



## KPOS SCOUT

### The KPOS Scout Handgun Conversion Kit

New hybrid design, aluminum & polymer for a lightweight & compact system // Quick and easy installation requires no tools or handgun modification // Snap locking mechanism- single button for quick, easy and secure assembly // Ambidextrous M4 style charging handle // Full length 1913 MIL-STD Picatinny rail upper, short polymer lower rail and two removable side rails // Vertical foregrip folds to horizontal position and incorporates an extendable trigger guard // Folding buttstock with high traction rubber butt-pad // Solid milled upper, made of 6061 T6 hard anodized Aluminum // Reinforced polymer lower and buttstock / brace // Compatibility: Glock models 17, 19, 19X, 22, 23, 25, 31, 32, 45 / GEN 3 - 5 including 'C' Models, without a backstrap grip add-on

Competitive pricing  
Limited Lifetime Warranty



## KPOS SCOUT

FGG-KPOS Folding foregrip & trigger cover // SLS QD sling swivel  
// Bungee, one point tactical sling



## KPOS SCOUT ADVANCED

FGG-KPOS Folding foregrip & trigger cover // SLS QD sling swivel  
// Bungee, one point tactical sling // Set of polymer backup sights FBS & RBS // KPOS Scout backpack

 Weight 690 gr Width 60 mm Height 170 mm Length 540 mm Buttstock Folded: Width 73 mm Length 324 mm



## KPOS SLINGSHOT

### The New Bracing System For The KPOS Scout

Quick spring loaded system, automatically fits the arm and adjust to the shooters natural handgun posture // No need to strap the brace to the arm just grab the KPOS Scout and the Slingshot locks into place // Provides extremely firm and steady aiming while allowing for a comfortable and highly accurate shooting experience // Automatically adjusts to the shooters shooting stance // Adjustable resting strap, enables comfortable fit regardless of arm size and shape // Maximize one hand shooting performance // Fully ambidextrous support system // Innovative Recoil channeling allows rapid fire and improves on target time // Compatibility: Glock models 17, 19, 19X, 22, 23, 25, 31, 32, 45 / GEN 3 - 5 including 'C' Models, without a backstrap grip add-on



## KPOS SCOUT SL

FGG-SAFE Folding angled grip & trigger cover // SLS QD sling swivel // Bungee, one point tactical sling

## KPOS SCOUT SL ADVANCED

FGG-SAFE Folding angled grip & trigger cover // SLS QD sling swivel // Bungee, one point tactical sling // Set of polymer backup sights FBS & RBS // KPOS Scout backpack

Weight 690 gr Width 60 mm Height 170 mm Length 540 mm Buttstock Folded: Width 73 mm Length 324 mm

## KPOS G2

### KPOS G2 Shoulder & Thigh Holster

Comfortable and secure carry platform for KPOS G2 models // Quick draw adjustable thumb break retaining strap // Fully adjustable straps for quick comfortable operator fitting // Durable and comfortable thigh strap with interwoven rubber // High grade side release buckles for secure carry // Soft textile design for covert and comfortable maneuverability // Compatibility: All KPOS G2 models



Weight 527 gr





KPOS G2 Classic

## KPOS G2

### 2nd Generation Handgun Conversion Kit

Solid milled frame, made of 6061 T6 hard anodized aluminum // Built-in AR15 style charging/cocking mechanism for ambidextrous and comfortable use // Folding slim-profile stock with a rubber butt-pad makes it comfortable yet easy to conceal // Height adjustable stock for perfect use with various mounted sights // Removable flash hider for silencer/suppressor, assembles with only one bolt // May assemble in hands, free standing, and does not require lying down on a table // Full length 1913 MIL-STD picatinny upper rail, side rails & lower rail // All system parts are one with the frame - no risk of loss // Highly ventilated frame for appropriate heat dissipation for use with compensator models // Provided with the F-GGK Trigger Guard Foregrip, enhances weapon safety by securing "loaded chamber" carry // Available in four buttstock configurations: Classic, Delta, Collapsible and Pathfinder // The Pathfinder model in its original configuration does not require an SBR tax stamp, adding a forward grip or buttstock would change the classification of this item! // Incorporates a Limited Lifetime Warranty // Compatibility: Glock Gen 3,4,5 including 'C' Models : 17, 18, 19, 20, 20SF, 21, 21SF, 22, 23, 25, 29, 30, 31, 32, 34, 35, 37, 38 // IWI or IMI Jericho; 941-F, 941-FS, 941-R, 941-PL, 941-PSL, and metal non-railed versions // FN Herstal: 5.7 // SIG SAUER; P226 (railed version and classic frame), SP2022, P320 (To be released Q3 2018) // CZ (Česká zbrojovka): 75 P-07 DUTY, P-07, P-09 // Springfield XD / XD(M) in 9mm or .40SW // Beretta Px4

No gunsmith required



KPOS G2 Delta



KPOS G2 Collapsible



KPOS G2 Pathfinder

**Weight** 1015 gr **Width** 59 mm **Height** 146 mm **Length** 598 mm **Buttstock Folded: Width** 46 mm **Length** 370 mm



# BUTTSTOCKS



## GL-CORE S

The GL-Core S was specifically designed for one of the best Israeli Counter-Terrorism units, to be used as a primary buttstock. The design process started with the GL-Core buttstock, and implemented all the design changes that were requested to create a buttstock that will be short and compact for CQB scenarios but will still provide strength and stability for mid-range engagements.



Small and compact allowing for easy maneuverability during CQB // Flat faced rubberized butt-pad designed for use with and without tactical body armor // Interchangeable buffer tube adapters for a tight fit on Mil-Spec and Commercial buffer tubes // Integrated cheek weld optimized for the M4/AR15 platforms // No protruding parts, will not get caught on gear or webbing // Inversed positioning lever will not open accidentally // Two integrated quick detach rear sling swivel connectors // Made of durable and light-weight fiberglass reinforced polymer composite

Weight 210 gr Width 51 mm Height 109 mm Length 165 mm



## RAPS Rapid Adjustable Precision Stock

Integrated Cheek Rest & adjustable Length Of Pull (LOP) // Patent-pending 1Latch™ system, locks both LOP and Cheek Rest height with one lever // 1Latch™ system, can be configured for right or left-hand shooters // New LOP memory feature, set it once and the adjustable butt-pad will spring out to the same length every time // LOP Adjustment Range: 32mm (1.26") // Adjustable LOP, on AR10 from 378mm to 410mm (14.8"-16.14") // Integrated Cheek Rest, adjustment range; 42mm (1.65") // Concealed picatinny rail at the bottom of the stock for use with a monopod // Heavy duty, rubber butt-pad with height adjustment // The RAPS includes one pre-installed adapter for rifle-length receiver extension tube, and two additional adapters for MIL-SPEC Carabine tubes (one for M4 type receivers and one universal)



No gunsmith required

**Weight** 620 gr **Width** 42 mm **Height** 152 mm **Length** 277 mm **Deployed: Height** 194 mm **Length** 309 mm



## GL-CORE Buttstock For The AR15/M16/M4 Platforms

Ergonomically shaped rubberized butt-pad for quick shouldering and easy maneuvering of the weapon // Interchangeable buffer tube adapters for a tight fit on Mil-Spec and Commercial buffer tubes // Integrated cheek rest in an overall compact and sleek design // No protruding parts, will not get caught on gear or webbing // Inversed positioning lever will not open accidentally // Two integrated Quick Detach (QD) rear sling swivel connectors // Made of durable and light-weight fiberglass reinforced polymer composite



**Weight** 271 gr **Width** 52 mm **Height** 131 mm **Length** 180 mm



## GL-SHOCK

### M4/AR15 Shock Absorbing Collapsible Buttstock

Contains a silicon chrome alloy spring based shock-absorbing mechanism // Slick and easily operated inversed positioning lever, will not get caught on gear or webbing // Two integrated Quick Detach (QD) rear sling swivel connectors // Integral replaceable non-slip design ribbed rubber butt pad // Watertight battery storage for two CR123 3v lithium / AA 1.5v batteries // Unique patented "anti-rattle" mechanism allows fit on both Mil-Spec and Commercial buffer tubes

Upgrade options: cheek rest, picatinny cheek rest, ARP, SRP, MBA

**Weight** 308 gr **Width** 43 mm **Height** 130 mm **Length** 180 mm



## GL-MAG

### M4/AR15 Survival Buttstock W/Built-in Mag Carrier



Two integrated Quick Detach (QD) rear sling swivel connectors for the SLS sling attachment // Incorporates a sleek design magazine carrier with no protruding parts // Ergonomically positioned for swift magazine change // Unique slick and easily operated inversed positioning lever // Maintains natural 'buttstock to shoulder' positioning // Unique patented "anti-rattle" mechanism allows fit on both Mil-Spec and Commercial buffer tubes // Compatible with all standard sized M4 magazines

Sold with one Ultimag 10R magazine  
Upgrade options: ARP, SRP, MBA

**Weight** 354 gr **Width** 43 mm **Height** 130 mm **Length** 180 mm  
Technical specifications includes magazine





## GLR-16 M4/AR15 Tactical Collapsible Buttstock

High traction butt-pad design, for fast and stable shouldering, even with body armor // Ambidextrous Quick Detach swivel rear sling connectors // Watertight battery storage for two CR123 3v lithium / AA 1.5v batteries // Maintains contour and size of original M4 buttstock design // Unique patented "anti-rattle" mechanism allows fit on both Mil-Spec and Commercial buffer tubes

Upgrade options: cheek rest, picatinny cheek rest

**Weight 276 gr Width 48 mm Height 130 mm Length 180 mm**



## ARS Helmet Visor Stock

Allows proper use of sights while operating with a visor equipped helmet // Conveniently extends and folds for discreet operation // Quick and secure fold/unfold mechanism // Non-slip rubber butt-pad for fast and stable shoulder positioning // Made from 6061 T6 billet aluminum matt black anodized

Available for: MP5, MP5K, MP7 and KPOS G2

**Weight 249 gr Width 30 mm Height 130 mm Length 175 mm**



## COBRA New Folding Tactical Stock For Glock Handguns

Quick installation, attaches instantly // No handgun modification required // Rapid deployment mechanism; extends easily from the folded position into a full length deployed buttstock // Integrated Cheek Rest // High traction rubber butt-pad // Can be used with the Scopus QWB holsters when in the folded position // Replaceable adapters, one Cobra model will fit both G17 & G19 frames in GEN 2-5 // Durable and light weight fiberglass reinforced polymer construction // Compatibility: The Cobra stock will fit all of the following Glock models 17, 19, 19X, 22, 23, 24, 25, 31, 32, 34, 35, 45 / GEN 2 - 5

**Weight 328 gr Width 42 mm Width Extended 41 mm Height 140 mm Height Extended 153 mm Length Folded 240 mm Length Extended 332 mm**



# SHOTGUN TACTICAL BUTTSTOCK SYSTEMS

## Mossberg 500 & Remington 870 Tactical Buttstocks

Ultra-rugged design // Slightly Angled to Counter Recoil // Improved performance in reaction, on target time and muzzle control when firing // Pistol grip provides storage compartment for batteries or cleaning kit // Available in a folding or non-folding versions // Folding versions opens by a simple pulling motion and locks firmly into place // Left-folding mechanism by default // Made from durable and lightweight fiberglass reinforced polymer // M4 & M4 SB models can be upgraded to our GL-Shock or GL-Core buttstocks // Compatibility: Remington 870 - 12 gauge models Mossberg 500/590 Maverick 88 - 12 gauge models

No gunsmith required

### UAS

Integrated adjustable cheek rest with 5 height levels // Tough and robust build in a slim and low profile design // Rubber butt-pad enhances shoulder-position stability and reduces perceived recoil // Permits appropriate trigger access when in folded position // Two integrated Quick Detach (QD) rear sling swivel connectors for the SLS sling attachment



### M4

M4 Style aluminum buffer tube (6061 hard anodized aluminum) with our GLR-16 buttstock, with optional cheek rest // Allows the shooter to adjust the LOP according to personal preferences and the current tactical condition



### M4 SB

M4 Style aluminum buffer tube with a shock absorbing mechanism and our GLR-16 buttstock, with optional cheek rest // Highly effective recoil reduction system based on a premium silicon chrome alloy spring // Allows for quick follow up shoots and a more pleasant shooting experience // **Important Notice:** When using the Shock Absorbing Buttstock System, it is strictly prohibited to place any body parts on top or above the exposed part of the shock absorbing tube (with an emphasis on the shooter's cheek)



# AK/AKM/VZ TACTICAL BUTTSTOCK SYSTEMS

## Tactical Buttstocks For Eastern Bloc Firearms

Ultra-rugged design // Upgrade your rifle into a modern side folding platform // Opens by a simple pulling motion and locks firmly into place // Left-folding mechanism by default // Durable and lightweight fiberglass reinforced polymer and aluminum construction // M4 & M4 SB models can be upgraded to our GL-Shock or GL-Core buttstocks // Our various models are compatible with most of the following firearms: AK-47 (milled receiver), AKM & AK-74 (stamped receiver) variants, AKMS (under-fold, stamped receiver) variants, AKS-74U (Krinkov) variants, VZ.58 variants, Saiga folding stock variants, Galil and Short Galil models, Zastava (Yugo) M70 B1, B3 / M77 B1 Models (not compatible with the Serbian Zastava M70 N-PAP model), VEPR: 12/7.62

No gunsmith required

### UAS



Integrated adjustable cheek rest with 5 height levels // Tough and robust build in a slim and low profile design // Rubber butt pad enhances shoulder-position stability and reduces perceived recoil // Permits appropriate trigger access when in folded position // Two integrated Quick Detach (QD) rear sling swivel connectors for the SLS sling attachment



### M4



M4 Style aluminum buffer tube (6061 hard anodized aluminum) with our GLR-16 buttstock, with optional cheek rest // Allows the shooter to adjust the LOP according to personal preferences and the current tactical condition



### M4 SB



M4 Style aluminum buffer tube with a shock absorbing mechanism and our GLR-16 buttstock, with optional cheek rest // Highly effective recoil reduction system based on a premium silicon chrome alloy spring // Allows for quick follow up shoots and a more pleasant shooting experience // **Important Notice:** When using the Shock Absorbing Buttstock System, it is strictly prohibited to place any body parts on top or above the exposed part of the shock absorbing tube (with an emphasis on the shooter's cheek)



# RUGER 10/22 TACTICAL SPORT STOCKS

## UAS R10/22



Built-in adjustable cheek-rest with 5 height options // Side folding buttstock (left folding by default) for compact carry and storage // Ergonomic design prevents wrist fatigue and improves trigger operation // Durable and lightweight fiberglass reinforced polymer construction // Compatibility: Standard, bull barreled or silenced Ruger® 10/22® rifles

1913 MIL-STD Picatinny side and lower rails

**Weight** 1024 gr **Width** 64 mm (**Folded:** 85 mm) **Height** 147 mm **Length** 735 mm (**Folded:** 490 mm) **LOP** 354 mm

## M4 R10/22



Collapsible buttstock system with 5 length options // Side folding buttstock (left folding by default) for compact carry and storage // Ergonomic design prevents wrist fatigue and improves trigger operation // Durable and lightweight fiberglass reinforced polymer construction // Compatibility: Standard, bull barreled or silenced Ruger® 10/22® rifles

1913 MIL-STD Picatinny side and lower rails

**Weight** 1063 gr **Width** 64 mm (**Folded:** 100 mm) **Height** 147 mm **Length** 780 mm (**Folded:** 490 mm) **LOP Min** 333 mm **LOP Max** 405 mm

## UAS PRO R10/22



Built-in adjustable cheek-rest with 5 height options // Side folding buttstock (left folding by default) for compact carry and storage // Ergonomic design prevents wrist fatigue and improves trigger operation // Durable and lightweight fiberglass reinforced polymer construction // Compatibility: Standard Ruger® 10/22® rifles

1913 MIL-STD Picatinny side and lower rails  
1913 MIL-STD Full length milled aluminum upper rail

**Weight** 1157 gr **Width** 64 mm (**Folded:** 85 mm) **Height** 170 mm **Length** 735 mm (**Folded:** 490 mm) **LOP** 354 mm

## M4 PRO R10/22



Collapsible buttstock system with 5 length options // Side folding buttstock (left folding by default) for compact carry and storage // Ergonomic design prevents wrist fatigue and improves trigger operation // Durable and lightweight fiberglass reinforced polymer construction // Compatibility: Standard Ruger® 10/22® rifles

1913 MIL-STD Picatinny side and lower rails  
1913 MIL-STD Full length milled aluminum upper rail

**Weight** 1196 gr **Width** 64 mm (**Folded:** 100 mm) **Height** 170 mm **Length** 780 mm (**Folded:** 490 mm) **LOP Min** 333 mm **LOP Max** 405 mm



## SKS CHASSIS SYSTEMS



Push-button side folding mechanism and spring based locking in folded position // Integrated enhanced magazine release lever // Durable and lightweight fiberglass reinforced polymer construction // Large ergonomic pistol grip and forward grip for enhanced shooting experience // Three buttstock options, M4 collapsible, Shock Absorbing or UAS

### M4 SB SKS



Weight 1360 gr Width 45 mm Height 190 mm Length 848 mm LOP Min 363 mm LOP Max 405 mm

### UAS SKS



Weight 1160 gr Width 45 mm Height 190 mm Length 855 mm LOP 360 mm

### M4 SKS



Weight 1200 gr Width 45 mm Height 190 mm Length 825 mm LOP Min 340 mm LOP Max 405 mm

# SVD

## Combined Buttstock Systems For The Dragunov Sniper Rifle



Durable and lightweight fiberglass reinforced polymer and aluminum construction // Rubber buttpad enhances stability and reduces recoil // Improved maneuverability, target acquisition, on target time and muzzle control // Right-folding mechanism by default, can be preordered in left-folding configuration // Quick and easy installation with two screws (provided) // Non-slip finger grooves and backstrap shape improves trigger operation // Integral storage compartment for batteries or cleaning kit in the grip // Two integrated Quick Detach (QD) rear sling swivel connectors for the SLS sling attachment // Compatibility: Dragunov Sniper Rifle (SVD)

No gunsmith required



### M4

M4 SVD, with our GLR-16 buttstock

Weight 745 gr Width 49 mm  
LOP Min 340 mm LOP Max 415 mm



### M4 SB

M4 SVD SB, with our recoil reducing buffer tube and the GLR-16 buttstock

Weight 873 gr Width 49 mm  
LOP Min 363 mm LOP Max 416 mm



### UAS SVD

UAS-SVD, with our UAS buttstock for a slim design with integrated cheek rest

Weight 689 gr Width 49 mm  
LOP 340 mm

## RBT-K47 FK Reinforced Polymer Stamped AK Buttstock System



8 positions, non-folding tube for optimal adjustment of the desired Length Of Pull // Bolt on design for tight and easy fit on stamped receiver AK // Constructed from durable & light weight fiberglass reinforced polymer composite // Comes by default with the GLR-16 buttstock, can be upgraded upon request // Compatibility: Most stamped receiver AK-47/AKM/AK-74 variants

No gunsmith required

Weight 420 gr Width 48 mm Height 131 mm Length 195 mm

## SBT-K47 FK /SBT- V58 FK Recoil Reducing Reinforced Polymer Buttstock Systems



Recoil reducing 8 positions, non-folding tube for optimal adjustment of the desired Length Of Pull // Bolt on design for tight and easy fit // Constructed from durable & light weight fiberglass reinforced polymer composite // Comes by default with the GLR-16 buttstock, can be upgraded upon request // Compatibility: SBT-K47 FK - Most stamped receiver AK-47/AKM/AK-74 variants // SBT- V58 FK - Most VZ.58 variants // **Warning:** It is strictly prohibited to place any body parts on top or above the exposed part of the shock absorbing tube

No gunsmith required

SBT-K47 FK Weight 426gr Width 48mm Height 130mm Length 195mm  
SBT-V58 FK Weight 424gr Width 48mm Height 131mm Length 200mm

**GCP**  
Adjustable  
Cheek Rest  
Kit For GLR-16



No gunsmith required

Weight 94 gr Width 66 mm Height 133 mm Length 134 mm  
Open/Deployed: Height 163 mm

**GPCP**  
Cheek Rest Kit  
With Built In  
Dual Picatinny  
Rails For GLR-16



No gunsmith required

Weight 115 gr Width 66 mm Height 133 mm Length 134 mm  
Open/Deployed: Height 163 mm

**GSCP**  
Adjustable  
Cheek Rest Kit  
For GL-Shock



No gunsmith required

Weight 95 gr Width 66 mm Height 133 mm Length 134 mm  
Open/Deployed: Height 163 mm

**GSPCP**  
Cheek Rest Kit  
With Dual  
Picatinny Rails  
For GL-Shock



No gunsmith required

Weight 117 gr Width 66 mm Height 133 mm Length 134 mm  
Open/Deployed: Height 163 mm

**M4-G3 FK**  
Collapsible Buttstock  
System For H&K G3



Upgrade options: cheek rest, picatinny cheek rest

Weight 494 gr Width 45 mm Height 150 mm Length 240 mm

**M4-FAL FK**  
Collapsible Buttstock  
System For FN FAL



Compatibility: FN FAL Metric based variants

Upgrade options: cheek rest, picatinny cheek rest

Weight 516 gr Width 45 mm Height 150 mm Length 265 mm

**M4-MP5 FK**  
Collapsible Folding Buttstock For MP5



Weight 529 gr Width 47 mm Height 130 mm Length 253 mm

**UAS-MP5**  
Tactical Folding Buttstock For MP5



Weight 452 gr Width 30 mm Height 125 mm Length 250 mm

**GK-MAG**  
**AK-47 Survival**  
**Buttstock**  
**W/Built-in**  
**Mag Carrier**



Compatible with all standard sized AK-47 magazines

Sold with one Ultimag AK 10R magazine  
 Upgrade options: ARP, SRP, MBA

**Weight** 473 gr **Width** 44 mm **Height** 160 mm **Length** 180 mm  
 Technical specifications includes magazine



**SRP**  
**Rubberized Sniper**  
**Butt-Pad**

Compatibility: GL-Shock, GL-MAG, GK-MAG

**Weight** 89 gr **Width** 43 mm  
**Height** 131 mm **Length** 40 mm

**ARP**  
**Rubberized Assault**  
**Butt-Pad**

Compatibility: GL-Shock, GL-MAG, GK-MAG

**Weight** 81 gr **Width** 43 mm  
**Height** 131 mm **Length** 27 mm

**MBA**  
**Mono-Pod**  
**Buttstock Add-On**



Compatibility: GL-Shock, GL-MAG, GK-MAG

**Weight** 216 gr **Width** 42 mm **Height** 133 mm **Length** 29 mm

**RBT-K47**  
**Reinforced Polymer**  
**AK-47 Buffer Tube**



No gunsmith required

**Weight** 145 gr **Diameter** 29 **Width** 34 mm **Height** 42mm **Length** 209 mm

**GCCP**  
**Cheek Rest For**  
**The GL-Core**



No gunsmith required

**Weight** 128 gr **Width** 55 mm **Height** 23 mm **Length** 143 mm  
**Open/Deployed: Height** 40 mm

**SBT-K47**  
**Recoil Reducing**  
**AK-47 Buffer Tube**



No gunsmith required

**Weight** 157 gr **Width** 34 mm **Height** 43 mm **Length** 208 mm

**SBT-V58**  
**Recoil Reducing**  
**VZ. 58 Buffer Tube**



No gunsmith required

**Weight** 149 gr **Diameter** 29 **Width** 48 mm **Height** 44 mm **Length** 224 mm



# GRIPS & BIPODS



## GRADUS / GRADUS FBV NEW FOR 2020

### Rubberized Ergonomic Pistol Grips

The Gradus pistol grip was created in response to numerous requests by our customers for an ergonomic rubberized grip that will have a relatively straight profile for long range precision shooting and CQB scenarios.

Designed with a 15 degree profile and rigorous attention to ergonomics, for a purposeful grip, enabling a comfortable long range session or an intensive CQB drill // Reinforced polymer core with textured rubber overmold // Designed to relieve pressure on the hand by equally distributing the force applied on the surface of the grip // Available with an AR style beaver tail or in a flat configuration (FBV) // **Compatibility:** M-4 / M-16 / AR-15 / SR-25 / AR-10 variants



**Weight 104 gr Width 36 mm Height 114 mm Length 55 mm**



## AGR-43 / AGR-47 Rubberized Ergonomic Pistol Grips

Reinforced polymer composite with multi-textured rubber over-mold // Three different rubber over-molded style textures for superior grip and ventilation // Finger swells and a back-strap shape design provides higher, firmer grip even when wet // Readily accessible storage area with securely sealed hinged door // **Compatibility AGR-43:** M16/M4/AR15 Models **AGR-47:** AK-47 / 74 Variants, AKS-74U 'Krinkov' Variants, Galil Models

No gunsmith required

**AGR-43:** Weight 145 gr Width 33 mm Height 127 mm Length 83 mm **AGR-47:** Weight 119 gr Width 33 mm Height 109 mm Length 80 mm



### AG-43

M16/M4/AR15 Ergonomic Pistol Grip

No gunsmith required

**Weight 96 gr Width 33 mm Height 127 mm Length 83**



### AGF-43S

M16/M4/AR15 Folding Ergonomic Pistol Grip

No gunsmith required

**Weight 119 gr Width 33 mm Height 127mm Length 83mm**



### AG-47

AK-47/74 Ergonomic Pistol Grip

No gunsmith required

**Weight 114 gr Width 33 mm Height 108mm Length 83mm**



### AG-FAL

FN-FAL Ergonomic Pistol Grip

No gunsmith required

**Weight 88 gr Width 34 mm Height 109mm Length 80mm**



**T-FL QR**  
**Quick Release Tactical**  
**7 Point Folding Foregrip**

Easy to fit and secure quick release lever // Versatile foregrip, folds to any of seven angles including horizontal // Enhances natural fighting stance and hold on your rifle // Incorporates a convenient storage compartment // Improved reaction, on-target time and muzzle control during CQB

No gunsmith required  
 1913 MIL-STD Picatinny compatible

**Weight 115 gr Width 43 mm Height 110 mm Length 61 mm**



**T-FS**  
**Adjustable Side-**  
**Folding Foregrip**

Adjustable 7 positions side-folding foregrip // Enhances overall weapon handling // Ideal for CQB and various terrain operations // Minimizes front hand exposure while positioned in doorway // Built-in storage compartment for batteries or cleaning kit

No gunsmith required  
 1913 MIL-STD Picatinny compatible

**Weight 112 gr Width 45 mm Height 113 mm Length 51 mm**



**FGK-S**  
**Folding Foregrip**  
**& Trigger Guard**

Trigger guard enhances safety by securing loaded chamber carry // Designed for quick and easy operation // Easily fits on firearm and secured on accessory rail with a single bolt // Fits on handgun equipped with a weaver or underside Picatinny rail // A complementary product for the GLR-17/440 Glock stock

No gunsmith required  
 1913 MIL-STD Picatinny compatible

**Weight 104 gr Width 42 mm Height 38 mm Length 153 mm**  
**Deployed: Height 102 mm Length 63 mm**



**T-FL**  
**Tactical 7 Point**  
**Folding Foregrip**

No gunsmith required  
 1913 MIL-STD Picatinny compatible

**Weight 123 gr Width 38 mm Height 110 mm Length 65 mm**



**FGG-S**  
**Handgun and Rifle**  
**Tactical Folding Foregrip**

No gunsmith required  
 1913 MIL-STD Picatinny compatible  
 Fits most handguns with underside accessory rail

**Weight 151 gr Width 44 mm Height 71 mm Length 139 mm**  
**Deployed: Height 138 mm Length 89 mm**





## PTK VTS COMBO

### Ergonomic Pointing Grip Combo Pack

The PTK VTS Combo is a unique combination of a pointing foregrip for ideal posture with an additional thumb lock for secure grip and increased handling // Provides natural grip positioning for point and shoot techniques // Ergonomic design prevents fatigue and increase long term accuracy // Unique pointing grip and thumb lock combination for secure grip // Improves weapon handling and maneuverability // Maintains natural body stance // Allows versatile positioning for optimal user compatibility // Made of a single piece of extremely durable polymer composite // Provides an additional compartment for cleaning kit or spare battery

No gunsmith required  
1913 MIL-STD Picatinny compatible  
PTK & VTS are also sold as separate products

**Weight 81 gr Width 35 mm Height 61 mm Length 130 mm**



## REG

### Multi Textured Rubberized Foregrip

Unique design with comfortable texture and sleek contour for superior hold // High grade non-slip rubber overmold for use with or without gloves // Enhances overall tactical versatility and performance // Convenient storage compartment for batteries or cleaning kit // Secure mount with durable quick detach bolt locking mechanism // Reinforced polymer composite with high grade rubber overmold

No gunsmith required  
1913 MIL-STD Picatinny

**Weight 128 gr Width 47 mm Height 119 mm Length 54 mm**



## RSG

### Rubberized Stout Foregrip

Provided with a 31mm/4.37" extension for enhanced grip and versatility // Non slip ergonomic design rubberized foregrip for a superior grip // Extremely durable quick release foregrip with a side picatinny rail or PTT housing // May rotate 180 degrees for ambidextrous use // Stout design, keeps your weapon as compact as possible for CQB // Convenient waterproof storage compartment for batteries or cleaning kit // Reinforced polymer composite with high grade rubber overmold

No gunsmith required  
1913 MIL-STD Picatinny

**Weight 122 gr Width 52 mm Height 100 mm Length 54 mm**



**AG-58**  
SA VZ. 58 Ergonomic Pistol Grip

Advanced ergonomic design prevents wrist fatigue and improves trigger operation // Built-in storage compartment // Fiberglass reinforced polymer composite

No gunsmith required

**Weight** 113 gr **Width** 33 mm **Height** 110 mm **Length** 83 mm



**AGR-870 / AGM-500**  
Shotgun Pistol Grips

Advanced ergonomic design // Improves trigger operation // Built-in storage compartment // Fiberglass reinforced polymer composite // Quick detach sling swivel sockets on both sides // **Compatibility** **AGR-870:** Remington 870 **AGM-500:** Mossberg 500/590/Maverick 88

No gunsmith required

**AGR-870** **Weight** 155 gr **Width** 44 mm **Height** 153 mm **Length** 65 mm  
**AGM-500** **Weight** 134 gr **Width** 47 mm **Height** 142 mm **Length** 68 mm



**SG-1**

AK-47/ 74/ Galil Sniper Pistol Grip

No gunsmith required

**Weight** 218gr **Width** 71mm **Height** 118mm  
**Length** 105 mm **Height Deployed** 130mm



**G-1911**

1911 Polymer Grips

No gunsmith required

**Weight** 26 gr **Width** 13 mm  
**Height** 103 mm **Length** 38 mm



**WG 1911**

1911 Magazine Well Grip

No gunsmith required

**Weight** 34 gr **Width** 32 mm  
**Height** 105 mm **Length** 58 mm

## MOJO

### Improved Mag-Well With Replaceable Grips

Replaceable grip area (Comes standard with the Tactical grip) // Functions as a flared and extended magazine well, enhances reload speed under stress // Quick and easy installation // Durable and lightweight fiberglass reinforced polymer construction // Each MOJO is sold with the Tactical Grip and one Mask grip of choice // Mask grips also sold separately and available in Black, Olive Drab Green, Flat Dark Earth and White // Compatibility: M16/M4/AR15 5.56x45 lower receiver variants, without a flared magazine well

No gunsmith required

 **Weight 88 gr Width 49 mm Height 73 mm Length 99 mm**



Cavalier



Emblem



Havoc



Phalanx



Vigilante



## PM-G

### Makarov PM Magazine Release Grip

Replaces the original grip with an improved ergonomic design // Incorporates a unique built in Thumb operated magazine release mechanism // Allow improved magazine change operated by the main hand // Extended beavertail design for optimal slide bite protection // Built-in safety cord attachment ring // Compatibility: Makarov PM 9x18 Pistols

No gunsmith required

Also available in the PM-G L version for left handed shooters

 **Weight 72 gr Width 32 mm Height 93 mm Length 77 mm**





## TAL-4 Tactical Ventilating Foregrip

Improves on-target time and muzzle control // Quality non-slip design // Double side pressure switch housing // Water proof anti rattles storage for two CR123 or AA batteries // Quick release mechanism, secured with a single bolt // Made of high grade fiberglass reinforced polymer composite

No gunsmith required  
1913 MIL-STD Picatinny compatible

**Weight 134 gr Width 40 mm Height 119 mm Length 65 mm**



## MWG Mag-Well Funnel Foregrip

Mag-well funnel design, made for swift magazine change // Incorporates a serial number window viewer // Provides a close grip for speed and CQB maneuverability // keeps hands off the magazine, reducing miss-feed and malfunctions // Compatibility: Fits most M16, M4 and AR15 variants with a standard lower, without a flared magazine well

No gunsmith required

**Weight 82 gr Width 45 mm Height 71 mm Length 91 mm**

## MG-20 Foregrip & Spare Magazine Holder

No gunsmith required  
1913 MIL-STD Picatinny compatible



**Weight 79 gr Width 33 mm Height 82 mm Length 90 mm**

## AG-44 S Ergonomic Foregrip

No gunsmith required  
1913 MIL-STD Picatinny compatible



**Weight 113 gr Width 33 mm Height 116 mm Length 85 mm**

# SPIKE **NEW FOR 2020**

## The New Tactical Bipod

Smart hybrid construction, steel, aluminum and high performance composite polymer

60 Degree pan with spring loaded mechanism

20 Degree cant movement

5 leg positions: 0, 45, 90, 135 & 180 degrees

Height range 180 to 290 mm  
(Height measured at the 90 degree leg position)

Rectangle shaped inner legs

Quick pull leg height adjustment

Foot print of 245 to 300 mm

Quick interchangeable feet using no tools



## AR/AK PODIUM

### Podium Bipod For The AR-15 or AK-47 Platforms

Compact and sleek design with no protruding parts // Rapid deployment mechanism operates by the push of a button // Provides steady and durable bipod platform // Made of light and durable high-end reinforced polymer composite // Saves valuable rail space for additional mounting options // **Models: AR-Podium** The model includes the AGR-43 pistol grip and the Podium bipod // **AK-Podium** The model includes the AGR-47 pistol grip and the Podium bipod // **Compatibility: AR-Podium** Fits most M16, M4 and AR15, 5.56x45 variants with a standard lower, without a flared magazine well // **AK-Podium** Fits most AK-47/ AKM standard models

No gunsmith required



 **AR-Podium Net Weight 237 gr** **AK-Podium Net Weight 216 gr**

## T-POD G2 Rotating Tactical Foregrip Bipod

The uniquely designed T-POD-G2 Rotating Tactical Foregrip & Bipod transforms a foregrip into a fully functional bipod by the push of a button // Quick release mounting mechanism // Legs are milled of 6061-T6 billet, matte black hard coat anodized aluminum // Tested to withstand up to 250 lbs./115kg during operation // Rotating and tilting head mechanism for precision shooting and moving targets // Head features a unique adjustable pressure switch mount // Independent 5 levels leg length adjustment for steady operation on an uneven surface

No gunsmith required  
1913 MIL-STD Picatinny compatible



**Weight** 364 gr **Width** 63 mm **Height** 157 mm **Length** 63 mm **Deployed: Width** 155 mm **Height** 211 mm





## T-POD G2 FA

### Combined Foregrip Bipod & Flashlight-Holder

Securely holds any 1" Tailcap activated tactical light // Tailcap thumb activated push on/off button allow easy signal operation // Transforms from Foregrip to fully functional bipod by the push of a button // Legs length can be independently adjusted for uneven terrain // Non-Slip & Sweat, Ventilated Design // Secured with dual quick-release wingnuts // Aviation-grade aluminum, steel, and reinforced polymer composite // Tested to Withstand up to 250 lbs./115kg. When Mounted

No gunsmith required  
1913 MIL-STD Picatinny compatible



Weight 345gr Width 44mm Height 148mm Length 135mm



## T-POD G2 QR

### Quick Release Tactical Foregrip Bipod

No gunsmith required  
1913 MIL-STD Picatinny compatible

Weight 296gr Width 44mm Height 148mm Length 70mm



## T-POD G2 SL

### Foregrip Bipod With Built-In 3V Tactical Light

No gunsmith required  
1913 MIL-STD Picatinny compatible

Weight 390gr Width 44mm Height 148mm Length 155mm

## TAR PODIUM

### Quick Deployment Bipod For TAR 21 Models

Compact and sleek design with no protruding parts // Rapid deployment mechanism operates by the push of a button // Provides steady and durable bipod platform // Replaces the grip bottom cap and secured with a single screw // Made of light and durable high-end reinforced polymer composite // Saves valuable rail space for additional mounting options // Designed by Tamir Porat, designer of the Tavor TAR 21 // Compatibility: TAR 21 rifles including CTAR 21 / GTAR 21 and STAR 21

No gunsmith required

**Weight** 160 gr **Width** 58 mm **Height** 35 mm **Length** 124 mm  
**Deployed: Width** 136 mm **Height** 84 mm



## HBA-3

### Harris Bipod Polymer Picatinny Adaptor

No gunsmith required  
 1913 MIL-STD Picatinny

**Weight** 33 gr **Width** 30 mm **Height** 28 mm **Length** 69 mm



## M4-BHA

### M4 Bayonet Aluminum Bipod Adaptor

No gunsmith required

**Weight** 52 gr **Width** 30 mm **Height** 27 mm **Length** 55 mm



## H-POD

### Harris Bipod Tilting & Rotating Polymer Picatinny Adaptor

No gunsmith required  
 1913 MIL-STD Picatinny

**Weight** 147 gr **Width** 63 mm **Height** 55 mm **Length** 63 mm



## H.A.B.A.

### Harris Bipod Aluminum Picatinny Adaptor

No gunsmith required  
 1913 MIL-STD Picatinny

**Weight** 77 gr **Width** 50 mm **Height** 27 mm **Length** 61 mm

# RAIL SYSTEMS



## VANGUARD AR /AK NEW FOR 2020 M-LOK® Compatible Handguard For The AR Or AK Platforms

The Vanguard is featuring the M-LOK® rail system, in a slim yet durable design, that is optimized for use with our innovative integrated heat shield. Tested to withstand use during automatic fire, the Vanguard is built with the professional user in mind.

M-LOK® compatible handguard accepts direct attachment M-LOK accessories or M-LOK 1913 Picatinny rail sections // Easy installation, no Gunsmith required // **Innovative additional heatshield for proper thermal insulation** // Can be provided with three 1913 M-LOK® Picatinny rail sections in various lengths // Two integrated QD sling swivel sockets // Extremely durable polymer construction // **Compatibility: Vanguard AR:** Carbine Length M16 / M4 / AR-15 models & variants without a gas block **Vanguard AK:** Standard AK-47/ AKM / AK-74 platforms



Vanguard AR Weight 210 gr Width 52 mm Height 53 mm Length 206 mm Vanguard AK Weight 170 gr Width 49 mm Height 68 mm Length 163 mm



## PDC

### Innovative AK/AKM Picatinny Scope Mount Dust Cover

The PDC is an aluminum replacement dust cover with milled picatinny scope mount for the AK/AKM assault rifles. It provides a steady and secure mounting platform for any picatinny based optics on the AK with quick and easy drop in installation // Provides a total of 185mm in free picatinny rail space // PDC is firmly secured to the receiver with a unique, manual adjustment retention mechanism // Keeps original iron sights operational // Manufactured from milled 6061 T6 aluminum and steel for optimal strength // Matt black hard coat anodized aluminum parts for wear resistance // Compatibility: AK/AKM rifles and most variants

No gunsmith required  
1913 MIL-STD Picatinny rails system



**Weight** 194 gr **Width** 39 mm **Height** 42 mm **Length** 246 mm



## AK-47

### AK-47 Polymer Quad Rail Handguard

Enables four picatinny rails for secure mounting of optics and accessories // Durable and lightweight fiberglass reinforced polymer construction // Provides appropriate thermal isolation and heat dissipation

No gunsmith required  
1913 MIL-STD Picatinny rails system

**Weight** 183 gr **Width** 61 mm  
**Height** 81 mm **Length** 166 mm



## KPR

### AKS-74U Polymer Quad Rail Handguard

No gunsmith required  
1913 MIL-STD Picatinny rails system

**Weight** 182 gr **Width** 67 mm  
**Height** 86 mm **Length** 139 mm



## SA-58

### SA VZ.58 Polymer Quad Rail Handguard

No gunsmith required  
1913 MIL-STD Picatinny rails system

**Weight** 188 gr **Width** 60 mm  
**Height** 80 mm **Length** 183 mm



**VFR-SVD**  
**Dragunov Sniper Rifle**  
**Aluminum Quad-Rail System**

Precision machined 6061 T6 Billet hard anodized aluminum for maximum strength // Enables four picatinny rails for secure mounting of optics and accessories // Quick and easy installation // Replaces the original handguard, firmly secured on the rifle with 4 bolts // Tested under extreme conditions, maintains zero-retention // Allow use of the original sights when no optics are mounted

No gunsmith required  
 1913 MIL-STD Picatinny rails system

**Weight 320 gr Width 55 mm Height 73 mm Length 234 mm**

**SVDM**  
**Dragunov Sniper Rifle**  
**Rifle Scope Mount**

Precision machined from 6061 T6 Billet aluminum for maximum strength // Securely locks to the accessory rail with manually adjustable pressure mechanism // 1913 MIL-STD picatinny rail allow use of scopes, night vision or reflex sights // Allow rapid mount / dismount of optics on the SVD (Dragunov Sniper Rifle)

No gunsmith required  
 1913 MIL-STD Picatinny rail system

**Weight 191 gr Width 47 mm Height 83 mm Length 160 mm**



**VFR-AK**  
**AK-47 Full Length**  
**Aluminum Quad-Rail System**

Full length upper rail allow optimal use of scopes, night vision or reflex sights // Precision machined 6061 T6 Billet hard anodized aluminum for maximum strength // Four 1913 MIL-STD picatinny rails allow installation of any picatinny based accessory // Replaces the original handguard and bolted on the rifle // Tested Under extreme conditions, maintains zero-retention // Unique design allows use of the original sights when optics are not mounted

No gunsmith required  
 1913 MIL-STD Picatinny rails system

**Weight 590 gr Width 57 mm Height 85 mm Length 336 mm**



**PRG**  
**Galil Polymer**  
**Quad-Rail System**

Enables four picatinny rails for secure mounting of optics and accessories // Secure attach for your optical sights and lasers // Durable and lightweight fiberglass reinforced polymer construction // Provides appropriate thermal isolation and dissipation

No gunsmith required  
 1913 MIL-STD Picatinny rails system

**Weight 245 gr Width 60 mm Height 83 mm Length 178 mm**



## VFR-VZ

### SA VZ.58 Aluminum Quad-Rail System

No gunsmith required, 1913 MIL-STD Picatinny rails system

■ **Weight 320 gr Width 55 mm Height 73 mm Length 234 mm**



## VFR-RPK

### RPK Aluminum Quad-Rail System

No gunsmith required, 1913 MIL-STD Picatinny rails system

■ **Weight 323 gr Width 57 mm Height 85 mm Length 181 mm**



## VFR-GA

### Galil Aluminum Quad-Rail System

No gunsmith required, 1913 MIL-STD Picatinny rails system

■ **Weight 459 gr Width 53 mm Height 88 mm Length 352 mm**



## GX-6

### Micro Galil Aluminum Quad-Rail System

No gunsmith required, 1913 MIL-STD Picatinny rails system

■ **Weight 464 gr Width 54 mm Height 83 mm Length 310 mm**



## UPT

### TAR-21 Picatinny Rail

1913 MIL-STD Picatinny rails system

■ **Weight 49 gr Width 21 mm Height 15 mm Length 104 mm**



## SIG-551 SM

### SIG-SAUER 551 Scope Mount

No gunsmith required, 1913 MIL-STD Picatinny rails system

■ **Weight 81 gr Width 21 mm Height 14 mm Length 157 mm**



## UTR

### Uzi Aluminum Rail System

No gunsmith required, 1913 MIL-STD Picatinny rails system

■ **Weight 149 gr Width 54 mm Height 45 mm Length 152 mm**



## UTR-M

### Mini Uzi Aluminum Rail System

No gunsmith required, 1913 MIL-STD Picatinny rails system

■ **Weight 115 gr Width 54 mm Height 45 mm Length 121 mm**







## NFR / NFR-EX Carbine Length / Extended Aluminum Quad-Rail System

Precision machined from 6061 T6 Billet aluminum for maximum durability // Rugged construction will not bend or deform under any condition // Field tested under extreme conditions for maximum performance // Rail system firmly locks to the barrel nut and over the front handguard cap // Slim profile for better grip and firearm handling // **Compatibility: NFR:** Carbine Length M16, M4, AR-15 models and variants **NFR-EX:** Carbine Length M16, M4, AR-15 models and variants with a barrel length of 14" or longer and without a gas block

No gunsmith required  
1913 MIL-STD Picatinny rails system

■ **NFR:** Weight 297 gr Width 55 mm Height 60 mm Length 177 mm **NFR-EX:** Weight 442 gr Width 55 mm Height 60 mm Length 317 mm



## NFR-M5 Mid Length Aluminum Quad-Rail System

No gunsmith required, 1913 MIL-STD Picatinny rails system

■ **Weight 380 gr Width 55 mm Height 60 mm Length 231 mm**



## NFR-RL Rifle Length Aluminum Quad-Rail System

No gunsmith required, 1913 MIL-STD Picatinny rails system

■ **Weight 534 gr Width 55 mm Height 60 mm Length 315 mm**



## VFR Carbine Length 'Free Floating' Rail System

Compatibility: Carbine length M4 models and variants with an upper Picatinny rail  
No gunsmith required  
1913 MIL-STD Picatinny rails system

■ **Weight 330 gr Width 60 mm Height 61 mm Length 163 mm**



## VFR-C Carbine Length 'Free Floating' Rail System

Compatibility: Carbine length M16 models and variants with a carry handle  
No gunsmith required  
1913 MIL-STD Picatinny rails system

■ **Weight 330 gr Width 60 mm Height 61 mm Length 163 mm**



**MP5/MP5K/G3 RS**  
Heckler & Koch Rail Systems

Precision machined from 6061 T6 Billet aluminum for maximum strength // Matte black hard anodized Coating for wear resistance // Three 1913 MIL-STD picatinny rails allow installation of any picatinny based accessory // Durable and light weight design, tested successfully under extreme conditions to provide the best performance possible

No gunsmith required  
1913 MIL-STD Picatinny rails system

- MP5-RS:** Weight 172 gr Width 50 mm Height 47 mm Length 155 mm
- MP5K-RS:** Weight 126 gr Width 51 mm Height 46 mm Length 108 mm
- G3-RS:** Weight 326 gr Width 48 mm Height 44 mm Length 342 mm



**MP5/G3 SM**  
Heckler & Koch Scope Mounts

Tight and secure attachment // Provides a superior sight mount solution // Four bolts provide steady sight mount stability // 1913 MIL-STD Picatinny rail // Milled of 6061 T6 Billet aluminum

No gunsmith required  
1913 MIL-STD Picatinny rails system

- MP5-SM:** Weight 75 gr Width 43 mm Height 25 mm Length 135 mm
- G3-SM:** Weight 98 gr Width 42 mm Height 26 mm Length 185 mm



**PR-MO / PR-870**  
Mossberg 500 / Remington 870 Tri Rail Handguard

Enables three Picatinny rails for the secure attachment of flashlights, grips and other accessories // Durable and lightweight fiberglass reinforced polymer construction // Provides the appropriate thermal isolation

No gunsmith required  
1913 MIL-STD Picatinny rails system

- PR-MO:** Weight 220 gr Width 67 mm Height 48 mm Length 201 mm
- PR-870:** Weight 186 gr Width 63 mm Height 56 mm Length 186 mm

## GIS / USM

### Glock Polymer Scope Mount / Handgun Universal Aluminum Scope Mount

Accepts all picatinny based reflex sights // Original sights remain functional // Adds a front accessory rail in place of the original one in use // **GIS:** Mounted on to the accessory rail and bolted on to the provided trigger pin **USM:** Mounted on to the accessory rail and secured with one bolt // **GIS:** Made of durable and lightweight fiberglass reinforced polymer composite **USM:** Milled of 6061 T6 Billet aluminum matte black anodized // **Compatibility:** **USM:** All handguns with underside accessory rail in a minimum length of 45mm long (Picatinny or weaver) and up to 28mm in slide and body width and up to 48mm in slide height **GIS:** All GLOCK® models with accessory rail

No gunsmith required  
1913 MIL-STD Picatinny rail system



**GIS:** Weight 56 gr Width 36 mm Height 70 mm Length 110 mm **USM:** Weight 80 gr Width 40 mm Height 68 mm Length 102 mm

## BM-4

### Benelli M4 Quad Rail Handguard

Enables four picatinny rails for secure mounting of optics and accessories // Durable and lightweight fiberglass reinforced polymer construction // Superior materials provide the needed thermal isolation // Quick and easy installation

No gunsmith required  
1913 MIL-STD Picatinny rails system



**Weight** 305 gr **Width** 65 mm **Height** 86 mm **Length** 200 mm



## MJPR

### Aluminum Accessory Rail for Steel Jericho

No gunsmith required

**Weight** 46 gr **Width** 22 mm  
**Height** 39 mm **Length** 93 mm



## SIG 226 PR

### SIG 226 Accessory Rail

No gunsmith required

**Weight** 46 gr **Width** 22 mm  
**Height** 39 mm **Length** 93 mm



## BR92 - PR

### Beretta 92 Picatinny Rail

No gunsmith required

**Weight** 46 gr **Width** 22 mm  
**Height** 40 mm **Length** 93 mm

## FGR-3

### Carbine Length Polymer Tri-Rail Handguard

Allow mounting of any picatinny base accessory // Made of durable and lightweight fiberglass reinforced polymer composite // Aluminum heat shields provide appropriate insulation and ventilation

No gunsmith required  
1913 MIL-STD Picatinny rails system

**Weight** 179 gr **Width** 66 mm **Height** 60 mm **Length** 186 mm



## UPR 16/4

### M4 Picatinny Under-Rail

No gunsmith required  
1913 MIL-STD Picatinny rails system

**Weight** 46 gr **Width** 21 mm **Height** 16 mm **Length** 155 mm



## DPR 16/4

### Double Accessory Rail

No gunsmith required

**Weight** 47 gr **Width** 62 mm **Height** 21 mm **Length** 64 mm



## HG-S

### Carbine Length Polymer Handguard

No gunsmith required

**Weight** 138 gr **Width** 54 mm **Height** 57 mm **Length** 170 mm

## SBS

### M4 Bayonet Dual Picatinny Mount

No gunsmith required

**Weight** 44 gr **Width** 37 mm **Height** 21 mm **Length** 55 mm



## BSR-1

### Barrel Single Rail

No gunsmith required

**Weight** 39 gr **Width** 36 mm **Height** 34 mm **Length** 50 mm



## BDR-2

### Barrel Double Rail

No gunsmith required

**Weight** 57 gr **Width** 36 mm **Height** 43 mm **Length** 50 mm













# FLASHLIGHTS & MOUNTS



## SPEEDLIGHT G2 3V 2nd Gen 1" Tactical Flashlight

Durable and robust flashlight, designed specifically for use as a firearms accessory, can be used on handguns, rifles and shotguns // 1 inch in diameter // Made of 6061 T6 Billet aluminum casing for optimal durability // Matte black hard coat anodized for wear resistance // Provided with the SPL-C tactical cover // Main body with grip enhancing texture for optimal handling // Pressure activated tactical on/off tailcap // Powered by a single CR123 battery







					
Max light output	Max runtime	Beam distance	Peak beam intensity	Impact resistant	Waterproof and submersible

Weight 69 gr Diameter 25 Length 87 mm



## SPEEDLIGHT G2 6V 2nd Gen 1" 6V Led Tactical Flashlight

Durable and robust flashlight, designed specifically for use as a firearms accessory, can be used on handguns, rifles and shotguns // 1 inch in diameter // Made of 6061 T6 Billet aluminum casing for optimal durability // Matte black hard coat anodized for wear resistance // Provided with the SPL-C tactical cover // Main body with grip enhancing texture for optimal handling // Pressure activated tactical on/off tailcap // Powered by two CR123 batteries

					
Max light output	Max runtime	Beam distance	Peak beam intensity	Impact resistant	Waterproof and submersible

Weight 93 gr Diameter 25 Length 121 mm



## PLR Adjustable Flashlight Mount

Designed to securely hold a 1" tactical flashlight or laser // Rotating light mount, can be adjusted by instantly for the correct light position needed // Allow ideal Tailcap access for optimal operation // Allow versatile mounting options for use with accessories // Quick release mechanism // Secure bolt locking system for mounted device // Durable and lightweight fiberglass reinforced polymer composite

1913 MIL-STD Picatinny compatible

Weight 72 gr Width 39 mm Height 71 mm Length 56 mm



## PLS Flashlight Side Mount

Designed to securely hold a 1" tactical flashlight or laser // Allow Tailcap access for optimal operation // Made for ideal use in conjunction with a foregrip // Quick release mechanism // Secure bolt locking system for mounted device // Durable and lightweight fiberglass reinforced polymer composite

1913 MIL-STD Picatinny compatible

Weight 55 gr Width 68 mm Height 36 mm Length 52 mm

## PR-3 G2 2nd Gen Tactical Flashlight W/Integrated Picatinny Mount



Durable and robust flashlight, designed specifically for use as a firearms accessory, can be used on handguns, rifles and shotguns // Built-in quick release 1913 MIL-STD picatinny mount // Made of 6061 T6 Billet aluminum casing // Matte black hard coat anodized for wear resistance // Provided with the SPL-C tactical cover // Pressure activated tactical on/off tailcap // Powered by one CR123 battery



Max light output



Max runtime



Beam distance



Peak beam intensity



Impact resistant



Waterproof and submersible

Weight 96 gr Width 42 mm Height 36 mm Length 93 mm



## PLA Flashlight and Laser Adaptor

Designed to securely hold a flashlights or laser device // Allow natural Tailcap access for optimal operation // Quick release mechanism // Secure bolt locking system for mounted device // Durable and lightweight fiberglass reinforced polymer composite

1913 MIL-STD Picatinny compatible

Available sizes: 3/4", 1", or 1.125" in diameter

Weight 51 gr Width 36 mm Height 52 mm Length 68 mm



## PLG Handgun Flashlight Mount

Designed to hold a 1" flashlight // Secure bolt locking mechanism for the mounted device // Manual quick release mechanism for fast adapt or remove // Allow flashlight to be quickly mounted in time of need // Tough rigid and lightweight reinforced polymer design // Allow ideal Tailcap access for handgun operation // Fits on Glock and most handgun accessory rails

No gunsmith required

■ **Weight 54 gr Width 36 mm Height 36 mm Length 64 mm**



## T-GRIP / T-GRIP R Integrated Foregrip And Flashlight Mount

Ergonomic foregrip incorporating a 1" flashlight mount // Built-in flashlight activation switch for natural and fast activation // Safety switch prevents accidental activation // Quick and easy installation, secured with 2 bolts // Durable and lightweight fiberglass reinforced polymer composite

No gunsmith required  
1913 MIL-STD Picatinny compatible

■ ■ ■ **Weight 200 gr Width 37 mm Height 126 mm Length 148 mm**



## MIKI Combined Angled Foregrip And Flashlight Mount

No gunsmith required  
1913 MIL-STD Picatinny compatible

■ **Weight 157 gr Width 50 mm Height 77 mm Length 151 mm**



## KAPI 2 Micro Galil Handguard And Flashlight Mount

No gunsmith required

■ **Weight 218 gr Width 45 mm Height 103 mm Length 165 mm**



## FFGS-1 Folding Foregrip And Flashlight

No gunsmith required  
1913 MIL-STD Picatinny compatible

■ **Weight 151 gr Width 44 mm  
Height 71 mm Length 139 mm**



## FFA-T4 Two-Position Foregrip And Flashlight Mount

No gunsmith required  
1913 MIL-STD Picatinny compatible

■ **Weight 191 gr Width 45 mm  
Height 77 mm Length 141 mm**



## FFA Folding Foregrip and Stinger Led Flashlight Mount

No gunsmith required  
1913 MIL-STD Picatinny compatible

■ **Weight 186 gr Width 50 mm  
Height 82 mm Length 139 mm**



# MAGAZINES & ACCESSORIES



## ULTIMAG AK 30R AK-47 30 Rounds Polymer Magazine

30 round 7.62x39 durable and reliable AK magazine // Multi-textured surface for enhanced grip // Long-lasting spring with cataphoresis coating for ideal corrosion protection // Impact and crush-resistant reinforced polymer // Over-travel protection, stops on the follower // Visual indication of remaining rounds from 10 to 30 // Disassembled by hand, no tools needed, compatible with double mag pouches

Also available for 7.62x39 VZ.58 in the ULTIMAG VZ 30R version

 **Weight 156 gr Width 35 mm Height 214 mm Length 81 mm**



## ULTIMAG 30R M16/M4/AR15 30 Rounds Polymer Magazine

30 round 5.56x45 NATO (.223 Remington) // Multi-textured surface for enhanced grip // Long-lasting spring with cataphoresis coating for ideal corrosion protection // Impact and crush-resistant reinforced polymer // Over-travel protection, stops on the follower // Visual indication of remaining rounds from 10 to 30 // Disassembled by hand, no tools needed, compatible with double mag pouches

 **Weight 131 gr Width 23 mm Height 193 mm Length 72 mm**



## ULTIMAG 10R / AK 10R 10 Rounds Polymer Magazines

Ergonomic design made for enhanced grip and faster magazine change // Dissembled by hand, no tools needed // Made of durable, light weight, polymer composite and steel // Highly reliable construction, built to last // **Compatibility: Ultimag 10R:** 5.56x45 M16/M4/AR15 variants, OMC / PMC couplers **Ultimag AK 10R:** 7.62x39 AK Models and variants

The magazine is also available in a 5 round version

**Ultimag 10R:** Weight 100 gr Width 29 mm Height 94 mm Length 72 mm **Ultimag AK 10R:** Weight 105 gr Width 32 mm Height 107 mm Length 73 mm



## OMC KIT Ultimag 10R Dual Magazine Kit

Highly ergonomic design // Durable fiberglass reinforced polymer construction // Maintains 10 cartridges limitation // External coupler - does not replace magazine floor plate // The OMC and PMC are also available with 5 round magazines // 5.56x45 NATO (.223 Remington) M16/M4/AR15 compatible

OMC coupler and two Ultimag 10R magazines  
OMC coupler is also available separately

**Weight 211 gr Width 30 mm Height 205 mm Length 79 mm**



## PMC KIT Ultimag 10R Pentagon Magazine Kit

PMC coupler and five Ultimag 10R magazines  
PMC coupler is also available separately

**Weight 520 gr Width 210 mm Height 210 mm Length 77 mm**



## 43-10 / 42-10

### +4 Magazine Extensions For The Glock G43/G42

+ 4 rounds for a total of 10 rounds in the magazine! // Enables a full grip on the handgun // Contoured finger indents for a firm grip during magazine manipulation // Innovative spring plate allows the use of the original magazine spring // Fiberglass reinforced polymer construction // Compatibility: 43-10 Glock G43 - Factory magazines only, 42-10 Glock G42 - Factory magazines only.

■ Weight 37 gr

No gunsmith required



## MPS-12

### +4 Magazine Extension For The M&P®9 SHIELD™

+ 4 rounds for a total of 12 rounds in the magazine! // Innovative spring plate design, allows for the use of the original magazine spring // Enables a full grip on the handgun // Contoured finger indents for a firm grip during magazine manipulation // Easy installation // Fiberglass reinforced polymer construction // Compatibility: 8 Round, S&W® M&P®9 SHIELD™ - original factory extend capacity (8 round) magazine only!

■ Weight 39 gr

No gunsmith required





**UC**  
**Ultimag Magazine Coupler**

Designed specifically for the Ultimag 30R // Facilitates swift magazine change // Enables setting the magazines in parallel or offset order, according to individual preferences // Durable and Light-Weight fiberglass reinforced polymer construction // Compatibility: Ultimag 30R/ Smart Load, magazines only

■ Weight 82 gr



**MCE**  
**Polymer & Material Strips Magazine Coupler**

■ Weight 60 gr



**TZ-2**  
**Polymer Magazine Coupler**

■ Weight 78 gr Width 25 mm  
Height 76 mm Length 61 mm



**TZ-M4**  
**M4 Magazine Coupler**

■ Weight 93 gr Width 65 mm  
Height 107 mm Length 75 mm



**TZ-M9**  
**9mm Tavor Magazine Coupler**

■ Weight 70 gr Width 59 mm  
Height 25 mm Length 46 mm



**TZ-5**  
**9mm/MP5 Magazine Coupler**

■ Weight 50 gr Width 70 mm  
Height 52 mm Length 45 mm



**5.56 POUCH**  
**M4 Magazine Belt Pouch**

■ Weight 84 gr Width 46 mm  
Height 77 mm Length 111 mm

**SH-5**  
**12 Gauge**  
**Shotgun**  
**Shells Holder**



1913 MIL-STD picatinny compatible  
 Conveniently keeps 5 extra shells close by for swift reload

■ **Weight 85 gr Width 38 mm Height 60 mm Length 118 mm**

**SH-6**  
**20 Gauge**  
**Shotgun**  
**Shells Holder**



1913 MIL-STD picatinny compatible  
 Conveniently keeps 6 extra shells close by for swift reload

■ **Weight 66 gr Width 29 mm Height 46 mm Length 123 mm**

**MH 5.56/.223**  
**Vertical**  
**M16/M4/AR15**  
**Magazine Carrier**



■ ■ ■ **Weight 74 gr Width 58 mm Height 138 mm Length 75 mm**

**MTH**  
**Horizontal**  
**M4 Magazine**  
**Carrier**



■ ■ ■ **Weight 81 gr Width 31 mm Height 150 mm Length 95 mm**

**SPD**  
**Speed Pull Add On**  
**For Ultimags**

Pack of 2  
 Compatible with Ultimag 30R / 10R & Ultimag AK 30R

■ **Weight 11 gr**





# PARTS & UPGRADES



**RBS**  
Rear Back-Up Sight

Can be used as primary or back-up sight // Low folded profile is smooth and inconspicuous, and will not snag on gear, webbing, or brush // Instant spring-locked deployment mechanism will not slip, break or deform // No tools needed for easy, rapid sight adjustments, with positive detent locking // Made of extremely durable high-grade polymer and metal // Compatibility: All 1913 Picatinny rails

Dual apertures are 3mm for longer eye relief mounting, low light, and faster target acquisition; and 1.5mm for shorter eye relief mounting and greater accuracy; each is instantly selectable to match conditions

**Weight 30 gr Width 32 mm Height 14 mm Length 52 mm**  
**Deployed: Height 42 mm Length 30 mm**



**FBS**  
Front Back-Up Sight

Ergonomic angel-wing-shaped front shroud helps center the image with any rear sight, but when used with a matching FAB Defense® RBS Rear Back-up Sight, it creates a precise optical tunnel that ensures more accurate aiming and faster target acquisition

**Weight 25 gr Width 32 mm Height 14 mm Length 52 mm**  
**Deployed: Height 42 mm Length 30 mm**







## WB-2 Tactical Mounted Window Breaker

Triggered by an instinctive application of pressure against a window // Powerful spring based mechanism allow effective operation in close quarters // Secured mechanism, will not be triggered by gunfire // Allow keeping target on sights while breaking a problematic window // Quick release mechanism fits on handgun accessory rails // Life-saving, clean glass-breaking, used by emergency and SWAT teams worldwide // Durable fiberglass reinforced polymer composite construction

1913 MIL-STD picatinny compatible

Weight 160 gr Width 68 mm Height 49 mm Length 86 mm



## FD-203 M203 Standalone Conversion Kit

Provides a standalone, compact folding stock platform for the M203 // 1913 MIL-STD picatinny upper rail for any picatinny based sight // The perfect contingency plan, provides optimal performance // Integrated quick detach sling swivel connectors on both sides // Built-in adjustable cheek piece with 5 height levels

Weight 682 gr Width 81 mm Height 188 mm Length 368 mm



## SD 34/30 SD 34/30 V Telescope Mount

Secured by a solid steel locking bar and two steel QR levers // Quick mounting and dismounting that maintains `zero' alignment // Ensures extremely tight and secure mount of the telescope over time // Milled of 6061 matte black hard anodize coated aluminum and steel // Compatible with 34/30mm (1.2-1.3") in diameter scope // **SD 34/30 V** version includes an additional Picatinny rail for a backup holographic sight and a Level // Compatibility: Tube diameter 30 - 34mm / 1.2 - 1.3" optical sights

1913 MIL-STD picatinny compatible

Weight 326 gr Width 56 mm Height 56 mm Length 129 mm



## TPM Trijicon Picatinny Mount

1913 MIL-STD picatinny compatible

Weight 125 gr Width 50 mm Height 13 mm Length 93 mm



## DEKER EOD Prodder

Extremely durable Israeli army design manufactured from spring steel

Weight 384 gr Width 21 mm Height 110 mm Length 597 mm  
Deployed: Length 1050 mm



## TACTICSKIN Slide Cover For Glock 17/19

Provides improved front and rear serrations for easier cocking // Allow proper handgun operation when wearing gloves or with sweaty hands // Protects the slide from every day damage and bumps // Made of high-grade, non-slip fiberglass reinforced polymer composite // Available in five colors for camouflage and versatility // Pistol fit into the Glock 21 holsters when mounted // **Warning:** Do not use with Glock "C" models (compensated)

■ ■ ■ ■ ■ Weight 25 gr Width 29 mm Height 23 mm

No gunsmith required

## TSA Tactical Sling Adapter



■ Weight 21 gr Width 48 mm Height 52 mm Length 3 mm

## SLA Aluminum Sling Picatinny Attachment



1913 MIL-STD Picatinny compatible

■ Weight 12 gr Width 34 mm Height 20 mm Length 13 mm

## SLS QD Sling Swivel Attachment



Mounts to any FAB-Defense® Quick Detach (QD) swivel sockets

■ Weight 24 gr Width 20 mm Height 15 mm Length 16 mm

## PSA QD Picatinny Sling Swivel Attachment



Incorporates a durable SLS Quick Detach (QD) sling swivel  
1913 MIL-STD Picatinny compatible

■ Weight 40 gr Width 20 mm Height 32 mm Length 16 mm



## BUNGEE One Point Tactical Sling

Securely attaches to any single sling port // Enables rapid and effective operation // Suitable for use with main or secondary weapon // Designed for front chest & shoulder ready carry // Allows concealed & compact SBR carry under a jacket // Heavy duty flexible cord allows weapon to be instantly extended to firing position // Quick-release heavy duty buckle with additional safety port

■ ■ ■ Weight 169 gr Width 30 mm Length 600 mm

## SL-1 / SL-2 Tactical Sling Solutions

■ SL-1: Weight 149 gr Width 50 mm Length 970 mm  
■ SL-2: Weight 147 gr Width 50 mm Length 890 mm



## FCH Glock Cocking Handle

Compatibility: All Glock® pistols GEN1-4, except G42 & G43

■ ■ ■ Weight 21 gr Width 40 mm Height 13 mm Length 16 mm



## RC Picatinny Rail Covers

■ ■ ■ Weight 83 gr Width 38 mm Height 14 mm Length 146 mm





# SELF DEFENSE, TRAINING & SAFETY PRODUCTS



HANOVER  
TOOLBOX



## GOTCHA Less-Lethal Self-Defense Tool

Low profile less-lethal self-defense tool built in to a high grade tactical cap // Made from durable reinforced polymer composite // Easily carried - very compact // Ergonomic design, allow various defensive techniques // Provides a simple and comfortable carry method // Low profile and inconspicuous design // Quick and easy to use, always within reach

 Weight 112 gr Width 141 mm Height 5 mm Length 92 mm



**HXB**  
 Hybrid Polymer & Steel  
 Expandable Baton

Shafts are molded from fiberglass reinforced polymer composite, with the last shaft reinforced by a steel Insert with a steel tip // The hybrid structure of steel and polymer ensures a durable and lightweight baton // The corrosion resistant and flexible tubular shafts provides a whip like stroke // Rubberized non-slip grip over-mold for ultimate performance // Three separate sections expand to a length of 22in/56cm by a flick of the wrist // Securely locked in once expanded and retracts by tapping the tip on a hard surface // Belt or MOLLE compatible ballistic nylon pouch included

■ Weight 263 gr Width 38 mm Length 237 mm Length (open) 575 mm



**KOBOTAN**  
 Pressure Point Force-Multiplier

■ Weight 18 gr Diameter 17 mm Length 130 mm



**BABY TONFA**  
 Pressure Point Force-Multiplier

■ Weight 18 gr Width 17 mm Height 45 mm Length 151 mm

**KARAMBIT**  
 Polymer Training  
 Karambit



■ Weight 37 gr Width 16 mm Height 72 mm Length 160 mm

**FCP**  
 Pressure Point  
 Restraining Tool



■ Weight 42 gr Width 9 mm Height 150 mm Length 62 mm

**TKN**  
 Rubber Training Knives



■ ■ ■ Weight 120 gr Width 57 mm Height 26 mm Length 300 mm

**LO**  
 Letter Opener



■ ■ ■ Weight 30 gr Width 34 mm Height 22 mm Length 205 mm



## SAFETY RODS

### Polymer Safety Rod

Our large selection of Safety Rods for 9mm / 5.56x45 / 7.62x39 offer a perfect high visibility safety solution for training and for storage // The rod securely blocks the barrel and chamber, preventing the chambering of a live round // Extended length over the flash hider and bright red colored for enhanced visibility // Highly efficient safety tool while performing dry fire drills

- **7.62x39** - 19\"/>
- **5.56x45** - 20\"/>
- **5.56x45** - 16.5\"/>
- **5.56x45** - 13.5\"/>
- **9X19** - 16.5\"/>
- **9x19** - 10.5\"/>
- **9x19** - 5\"/>
- **.22** - 4.5\"/>



## BUC

### Blank Bullet Trap Firing Adaptor

■ **Weight** 278 gr **Width** 30 mm **Length** 106 mm



## G-CLAMP

### Multiple Purpose Forensics/EOD/HAZMAT Polymer Pliers

■ **Weight** 285 gr **Width** 67 mm **Height** 42 mm **Length** 340 mm



## GSCA 3 / GSCA 4

### Safety Cord Attachment For Glock

Provides a secure attachment platform for any pistol safety cord // Greatly improves the default Glock cord attachment option // Fiberglass reinforced polymer construction // **Compatibility GSCA-3:** Glock 17, 17L, 19, 22, 23, 24, 31, 32, 34, 35 Gen3 and older with existing Glock safety cord hole **GSCA-4:** Glock 17, 19, 22, 23, 31, 32, 34, 35, generation 4 only!

■ **Weight** 7 gr



## TS-BB

### Tactical 9mm Barrel Blocker

■ **Weight** 5 gr



## PDA 9 / PDA 5.56

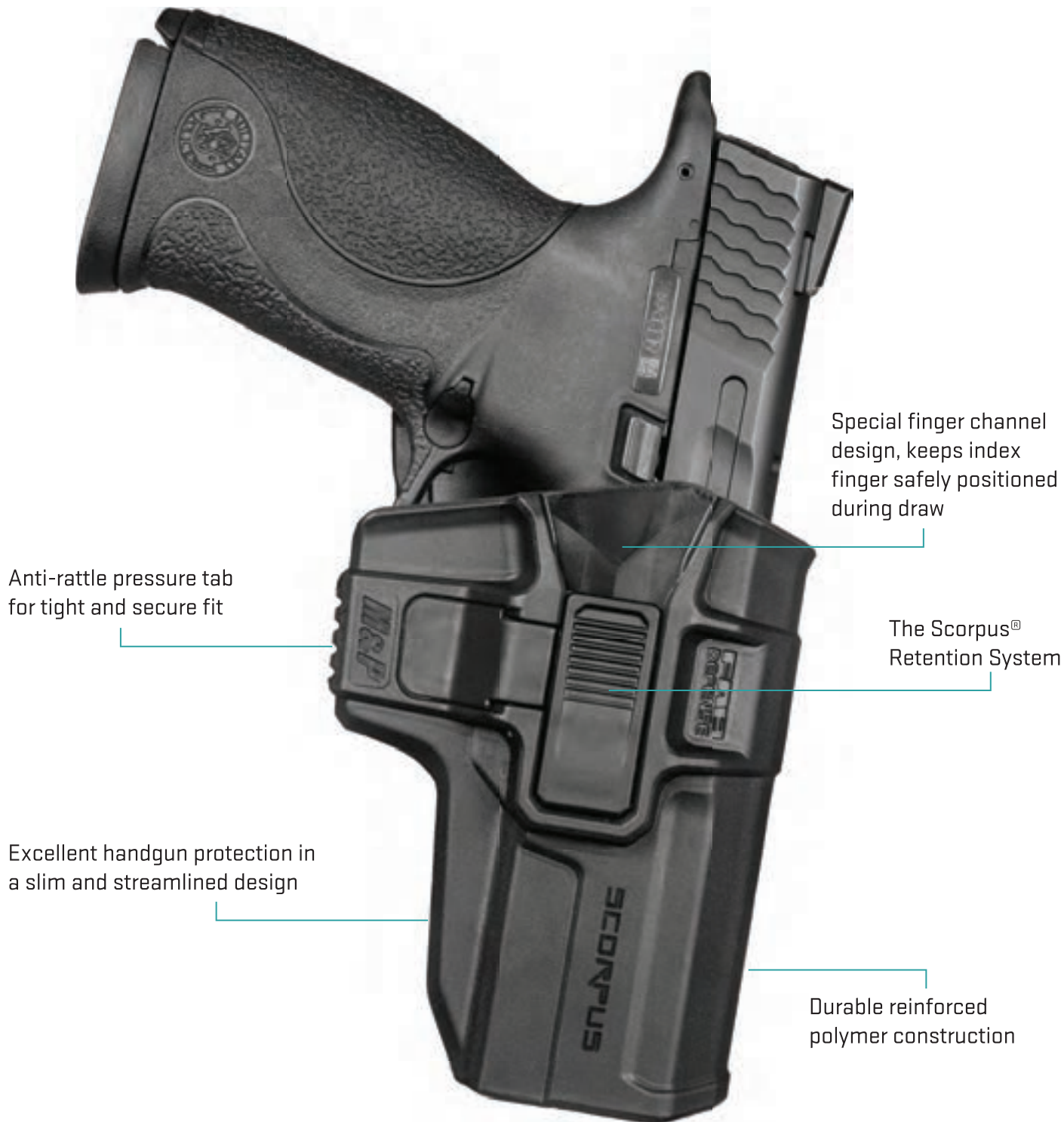
### Practice 9mm / 5.56x45 Ammunition

■ **Weight** 3 gr

A person wearing a black hooded garment, a tactical vest, and dark clothing is standing in profile against a concrete wall. They are holding a rifle. A handgun is holstered on their right thigh. The scene is lit from the side, casting a shadow of the person onto the wall.

SCORPUS®  
HANDGUN HOLSTERS

## COMMON FEATURES OF THE SCORPUS® OUTSIDE THE WAISTBAND HOLSTERS



**Scopus® M1/M24/MX/MTR support the following firearms:**

Glock 17, 19, 20, 21, 22, 23, 26, 27, 29, 30, 31, 32, 33, 34, 35, 41, 43 // SIG SAUER P226 models excluding the MK 25 models // S&W M&P 9/.40 full frame and Pro models // H&K USP 9mm/.40/.45 Full-size and compact models // Makarov PM // Jericho full frame 9mm / .40 Steel and Polymer models // 1911 5" Barrel, including Colt government models railed and non-railed // CZ 75 SP-01 Shadow



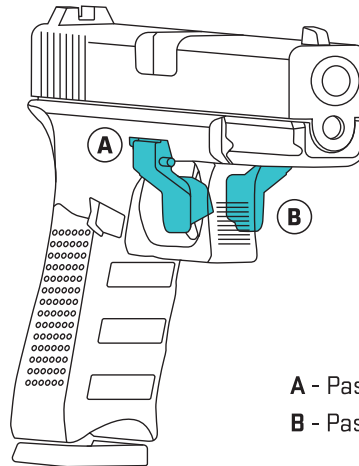
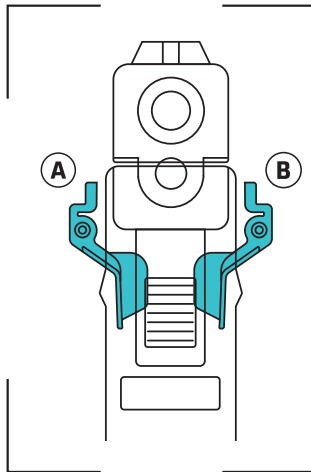


# THE SCORPUS® RETENTION SYSTEM

Two separate retention mechanisms lock automatically and ensure secure handgun retention, without sacrificing ease of deployment and use.

## SCORPUS® LEVEL 1 HOLSTER

Features two separate opposing passive retention devices that capture the trigger guard of the handgun automatically and are pressure activated. To draw the handgun, the operator must firmly hold the grip and then perform a clean draw.

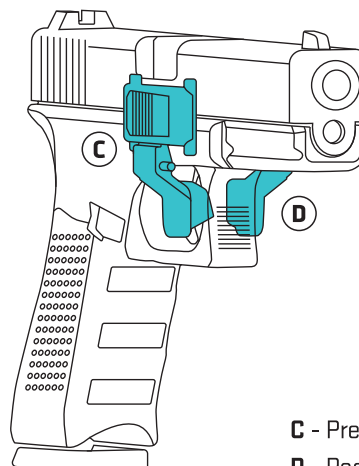
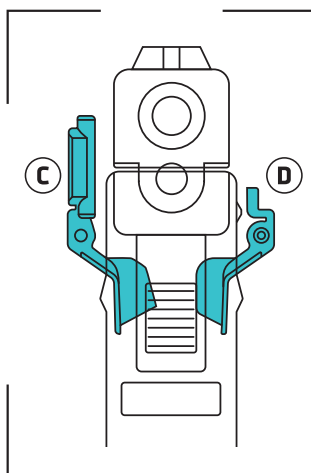


**A** - Passive Retention Catch  
**B** - Passive Retention Catch

## SCORPUS® LEVEL 2 HOLSTER

Formally known as the R models (Retention)

Features two separate opposing retention devices that automatically capture the trigger guard of the handgun—one pressure activated locking lever and one spring based retention device. This combined system ensures that even when the locking lever is deactivated by the operator, the handgun is still held by the spring based retention device. To draw the handgun, the operator must firmly hold the grip, push on the pressure activated locking lever and then perform a clean draw.



**C** - Pressure Activated Locking Lever  
**D** - Passive Retention Catch



## SCORPUS® M24

Developed for a special LE agency in Israel the M24 is our newest OWB holster configuration! // Fixed 24 degree cant that enables comfortable drawing of the weapon while in a sitting or standing position // Fixed belt adapter enables a slimmer design, placing the gun closer to the body // Supports a new, wider belt loop design for easy threading, fits belt sizes- 33-58 mm (1.2"-2.2") // Available in both Scorpion® Level 1 or Scorpion® Level 2 configurations // Holster supplied with a non-interchangeable belt adapter configuration, a Paddle or Belt Loop // Available for Right Hand or Left Hand configuration



## SCORPUS® M1

Holster supplied with two interchangeable belt adapters; Paddle and Belt Loop // A secure 20 degree Cant adjustment option for both belt adapters // Belt Loop adjustable to fit wide variety of belts, 34-72 mm (1.3"-2.8") // Available in both Scorpion® Level 1 or Scorpion® Level 2 configurations // Available for Right Hand or Left Hand configuration





## SCORPUS® MTR

Wide rig, for optimal comfort and stability // Sold with two belt attachment options, single point or two points // Single point belt loop offers a wide belt loop with quick release swivel for a full range of mobility // Two points attachment offers two attachment straps with quick release buckles // Innovative leg strap design allows for flexibility during movement while still maintaining the desired stability and fit of the rig // Wide leg straps with rubberized interior including quick release swivel buckles // The Scorpus® Level 2 Retention System - Featuring two separate mechanisms, for truly secure hand gun retention // Available for Right Hand or Left Hand configuration



## SCORPUS® MX

Holster supplied with three interchangeable belt adapters; MOLLE, Paddle and Belt-Loop // Features a 360 degree Swivel adapter for endless Cant adjustment option // Available in Scorpus® Level 2 configuration only // Available for Right Hand or Left Hand configuration

Formally known as the SR models





## SCORPUS® COVERT Scorpus IWB Holster

Special slim design for the thinnest IWB holster possible // Thin & flexible profile, average material thickness of 1.9 mm (0.07 inch) // Adjustable passive retention // Ergonomic rounded sweat guard with integrated "combat cut" // Replaceable belt clip for 1.5 and 1.75 Inch belts // Removable Covert Spacer for additional concealment // Available for Right Hand or Left Hand configuration (Covert G43 is currently available for Right Hand configuration only) // A single **Covert G-9** holster will fit all of the following handguns: **Glock:** 17, 19, 19X, 22, 23, 26, 27, 31, 32, 33 & 45 **CZ:** P-10 C **H&K:** VP9 **Walther:** P99 **FN:** FNS-9, FNS-9 Compact **Ruger:** SR40 **Grand Power:** K100, T12 **Schmeisser:** SLP-9 **FMK:** 9C1 G2. The **Covert G43** holster will fit the Glock G43 only.

■ ■ ■ Weight 67 gr

Inside the waistband



Replaceable belt clip, allows shirt to be tucked for optimal deep concealment (provided with two clips, for 1.5" and 1.75" belts with a fixed 10 degree Cant, on Covert G9 and 5 degree Cant on Covert G43)

Removable Covert Spacer for additional concealment

Adjustable retention mechanism

Innovative design and materials for the slimmest holster possible

Ergonomic rounded sweat guard with integrated "combat cut"

## DOUBLE MAGAZINE POUCHES

Allows quick draw action for optimal performance

Slim and compact design for close carry

Innovative 8 levels of manually adjustable magazine retention

Provides excellent magazine protection

Anti-rattle pressure tab for tight and secure fit

Durable fiberglass reinforced polymer composite



Provided with one belt loop and one paddle in the kit

Also available with a 360 adjustable swivel and the Mollex adapter in the 'S' type

Paddle features a 20 degree angle adjustment option

**PS-9**  
For Steel Double Stack 9MM/.40 Magazines



Weight 117 gr Width 37 mm Height 87 mm Length 96 mm

**PG-9**  
For Glock Double Stack 9MM/.40 Magazines



Weight 121 gr Width 40 mm Height 86 mm Length 97 mm

# RPR

## Rotating Picatinny Rail Mounts

The RPR line of products enables the operator to attach any 1913 picatinny supporting accessory to a duty belt or a MOLLE load bearing equipment:



**RPR MOLLE**  
Rotating Picatinny Rail For MOLLE

Weight 47 gr Width 100 mm  
Height 20 mm Length 89 mm



**RPR BELT**  
Rotating Picatinny Rail With Belt Loop

Weight 70 gr Width 71 mm  
Height 40 mm Length 81 mm



**RPR PADDLE**  
Rotating Picatinny Rail With Paddle

Weight 66 gr Width 94 mm  
Height 23 mm Length 111 mm



**PS-MAKAROV**  
For Makarov PM Magazines

Weight 105 gr Width 29 mm Height 84 mm Length 86 mm

**PS1911**  
For Single Stack 1911 .45/10MM Magazines

Weight 115 gr Width 31 mm Height 85 mm Length 99 mm



**PG.45**  
For Double Stack Glock .45/10MM Magazines

Weight 130 gr Width 40 mm Height 98 mm Length 105 mm

**PS.45**  
For Double Stack Steel .45/10MM Magazines

Weight 131 gr Width 40 mm Height 98 mm Length 105 mm





# SHOOTING PLATFORMS





## MANTIS

### Lightweight Sniper Platform Kit

Lightweight and simple for use, the Mantis offers a stable and rigid shooting platform that can adapt to any modern combat environment, for long deployments in the field or a fast CQB engagement.

Developed as an evolution of our TSB the Mantis was designed to meet the challenges of the modern infantry and Special Forces sniper teams, the rugged & lightweight construction will fit infantry and LRRP missions, where weight is a crucial factor.

The Mantis is already in use by military units globally.

Lightweight, rugged and simple for use // Offers a stable and rigid shooting platform that can adapt to any modern combat environment // Enables a "Prone-Like" stability, while standing or sitting // Developed to meet the challenges of the modern infantry and Special Forces sniper teams // Designed for long period Sniping engagements // Quick and easy to deploy // Lightweight, Table weigh at 1.6 Kg only // Adjustable for left handed and right handed snipers, and for a wide variety of sniper rifles // Sold with a designated tripod as a complete sniping solution // Offered with Aluminum or Carbon Fiber tripods // Approved U.S patent // The TSB and Mantis are developed in conjunction with Zikitec LTD.

■ **Table Weight 1,6 kg Total Kit Weight 4,3 kg including Carbon Fiber tripod**





## TSB Tactical Sniper Bench Kit

Enables a "Prone-Like" stability, while standing or sitting // Developed to meet the challenges of the urban Special Forces & Counter-Terrorist units // Designed for long period sniping engagements // Modular system, accepts special camouflage kits and accessories (sold as separate product) // Lightweight, quick and easy to deploy // Adjustable for left handed and right handed shooters, and for a wide variety of sniper rifles // Sold with a designated tripod as a complete sniping solution



■ Table Weight 2.85 kg Total Kit Weight 5.55 kg







**f** Join us on Facebook  
[www.fab-defense.com](http://www.fab-defense.com)

19 HaMiktsoot Blvd, Modi'in 7178126, Israel  
Phone: +972-3-960-3399 | Fax: +972-3-9603312